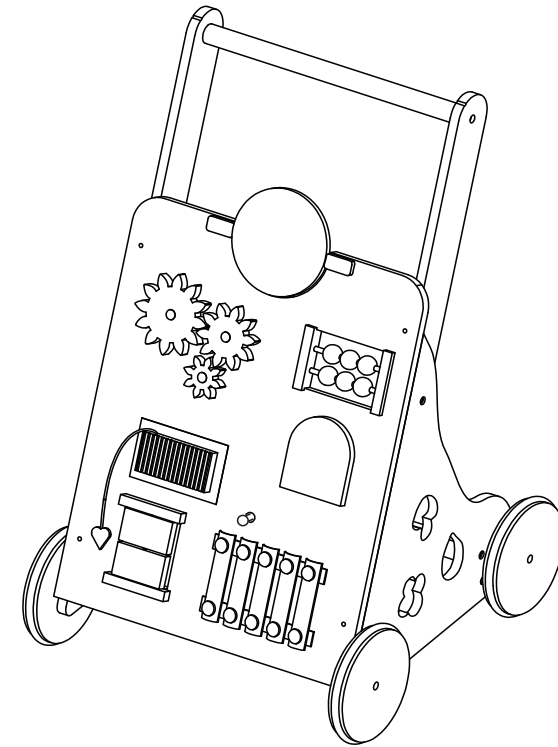
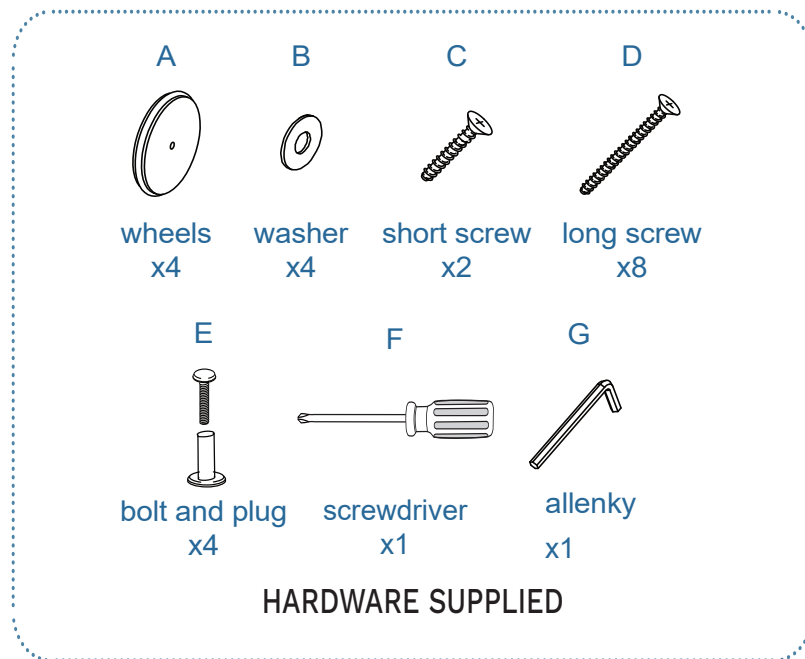


Tasman

Activity Trolley

Thank you for purchasing a Tasman Activity Trolley. Please follow the manufacturer's assembly instructions in detail to ensure the safety features of the activity trolley are not compromised.



WARNING: Due to the small size of the hardware and the sharp points of the screws, they are potentially hazardous.

Keep all assembly parts and packaging materials out of reach of children. Retain packaging information for future reference.

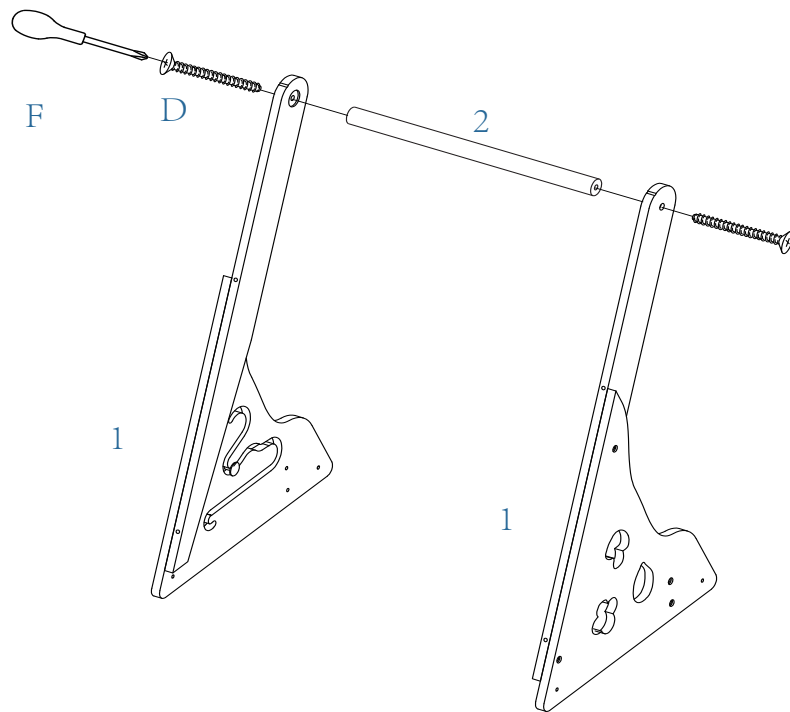
Adult assembly required.

Age recommendation 12months +

Tasman

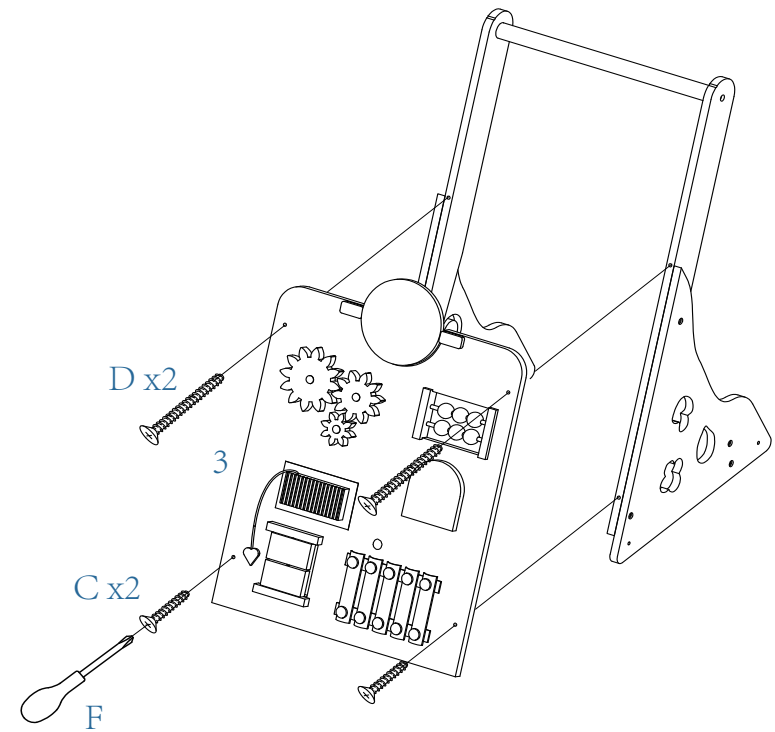
Activity Trolley

1



Attach 2x arms (1) and 1 x handle (2) together and secure with 2 x screws (D). Tighten with a screwdriver(F).

2

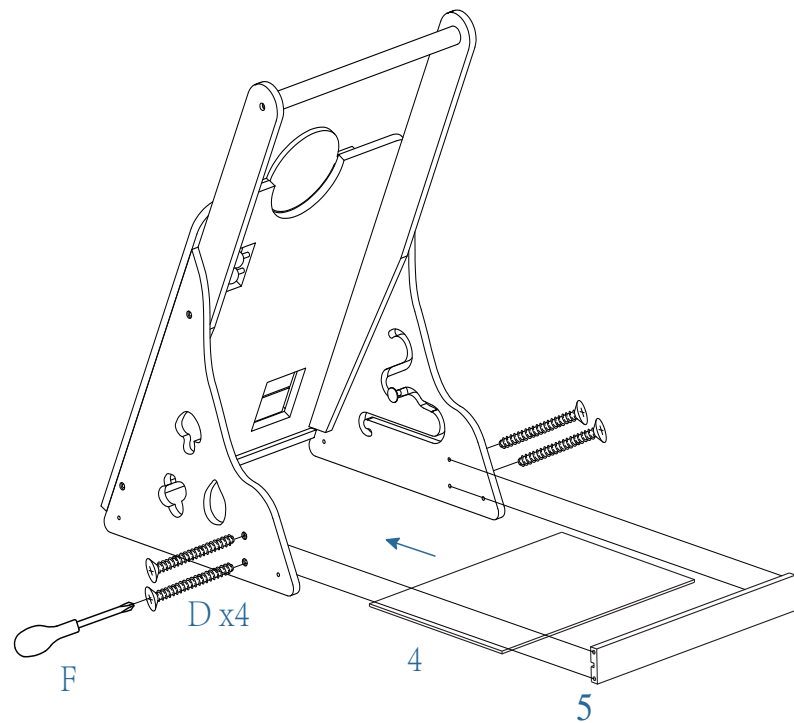


Attach front (3) to assembled frame and secure with 2 x screws (D) and 2 x screws (C). Tighten with a screwdriver (F).

Tasman

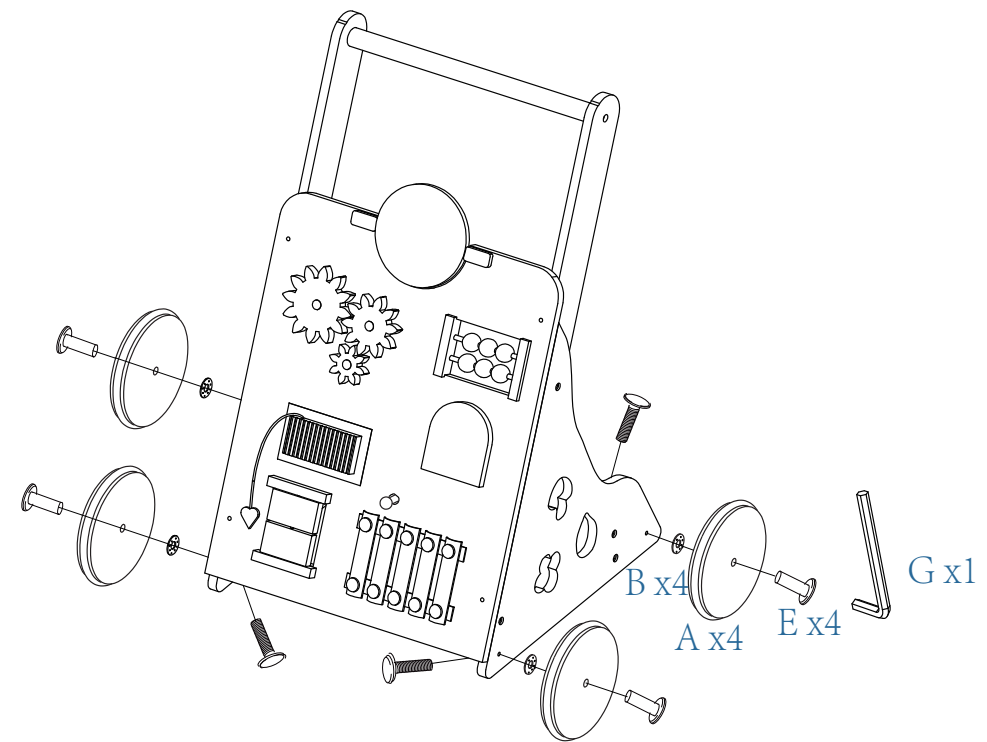
Activity Trolley

3



Slide panel (4) into position as shown. Attach panel (5) to assemble frame and secure with 4 x screws (D). Tighten with a screwdriver (F).

4



Slide panel (4) into position as shown. Attach 4 x wheels (A) to assembled frame and secure with 4 x washers (B), 4 x bolts (E) and 4 x plugs (E). Tighten with an Allen Key (G).